

# MicCell™ Casting Station



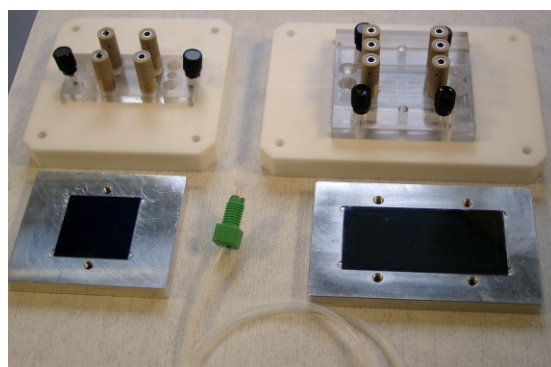
## Packing List for Article No. A040-033

Position	Art. No.	Article	Pieces	Remarks
A	A040-109	MicCell 22x22 PC Base Plate	5	Polycarbonate lid, 4 inlet/outlet holes UNF 1/4-28
B	(A040-033)	Aluminum-Teflon casting chamber 22 mm x 22 mm	1	Main part of the set, aluminum base plate and Teflon lid
C	A040-517	MicCell PDMS Mixing Glass 20 ml	10	Disposable mixing glasses to prepare max. 8 ml PDMS/crosslinker
D	A040-515	MicCell PDMS Dispense Tip	10	Disposable dispenser needles to inject mixed PDMS into the casting chamber
E	A040-091	MicCell Channel Spacer	4	PEEK-based, in UNF 1/4-28 fitting, spring-loaded pin
F		150 µm standard coverslip, pure glass, 22x22	100	Regular commercial coverslips 22 mm x 22 mm
G	A040-516	MicCell PDMS Syringe 1 ml	1	Disposable injection syringes for PDMS crosslinker
H	A040-514	MicCell PDMS Syringe 5 ml	11	Disposable injection syringes for PDMS base
I	A072-150	MicCell PDMS, Sylgard 184, 1 liter	1	Base elastomer and crosslinker
J	A040-512	MicCell Exsiccator (vacuum bell jar)	1	Small desiccator for PDMS degassing

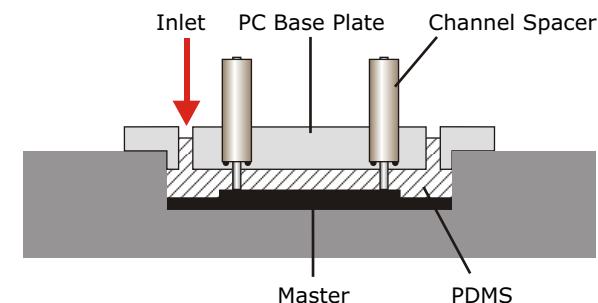
## Packing List for Article No. A040-035 \*

Position	Art. No.	Article	Pieces	Remarks
A	A040-109	MicCell 22x50 PC Base Plate	5	Polycarbonate lid, 10 inlet/outlet holes UNF 1/4-28
B	(A040-035)	Aluminum-Teflon casting chamber 22 mm x 50 mm	1	Main part of the set, aluminum base plate and Teflon lid
C	A040-517	MicCell PDMS Mixing Glass 20 ml	10	Disposable mixing glasses to prepare max. 8 ml PDMS/crosslinker
D	A040-515	MicCell PDMS Dispense Tip	10	Disposable dispenser needles to inject mixed PDMS into the casting chamber
E	A040-091	MicCell Channel Spacer	10	PEEK-based, in UNF 1/4-28 fitting, spring-loaded pin
F		150 µm standard coverslip, pure glass, 22x50	100	Regular commercial coverslips 22 mm x 50 mm
G	A040-516	MicCell PDMS Syringe 1 ml	1	Disposable injection syringes for PDMS crosslinker
H	A040-514	MicCell PDMS Syringe 5 ml	11	Disposable injection syringes for PDMS base
I	A072-150	MicCell PDMS, Sylgard 184, 1 liter	1	Base elastomer and crosslinker
J	A040-512	MicCell Exsiccator (vacuum bell jar)	1	Small desiccator for PDMS degassing

\* Similar packing list for A040-012 (25 mm x 75 mm)



Casting stations 22 mm x 22 mm (A040-033, left) and 22 mm x 25 mm (A040-035, right), in the front: base plates with inserted silicon master



A040-517:  
MicCell  
Mixing Glass

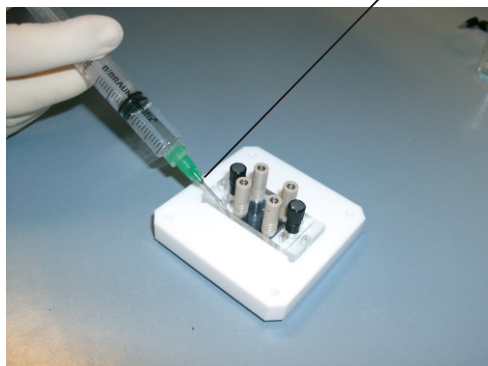
A040-514:  
MicCell  
Syringe 1 ml



A072-150: MicCell PDMS, Sylgard 184



A040-512: MicCell Exsiccator

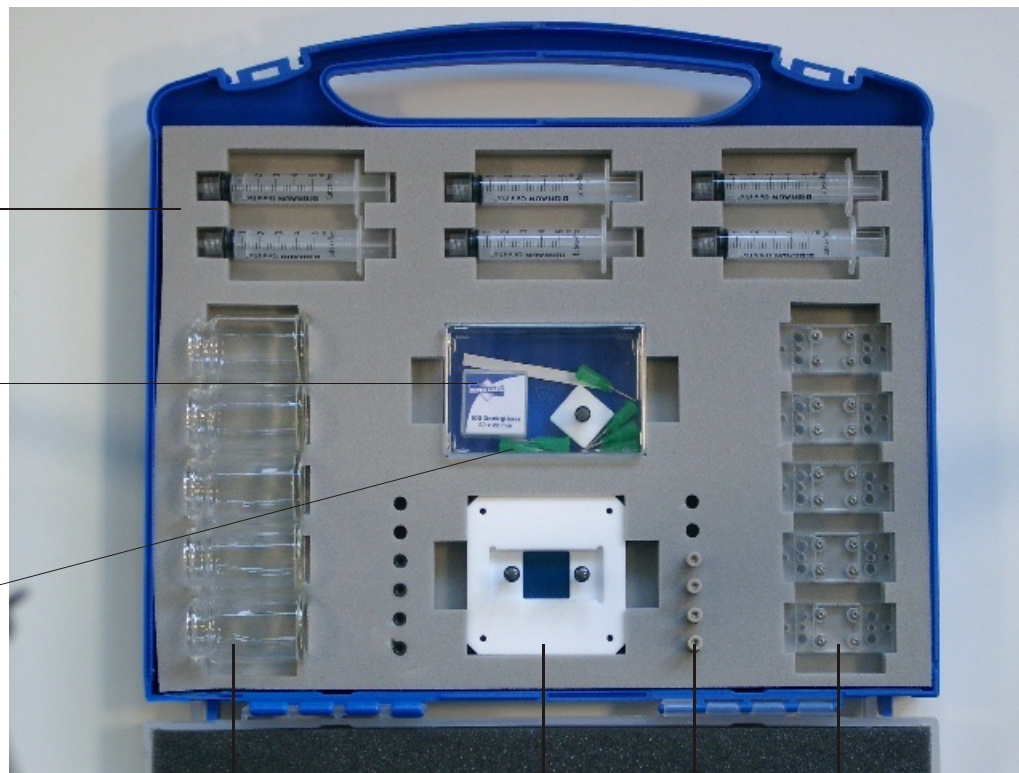


Injection of the mixed PDMS solution

A040-514:  
MicCell  
Syringes 5 ml

150  $\mu$ m  
standard  
coverslips

A040-515:  
MicCell PDMS-  
Kanülen



A040-517:  
MicCell Mixing  
Glasses

Casting  
chamber

A040-091:  
MicCell  
Channel  
Spacer

A040-109:  
MicCell PC  
Base Plate

